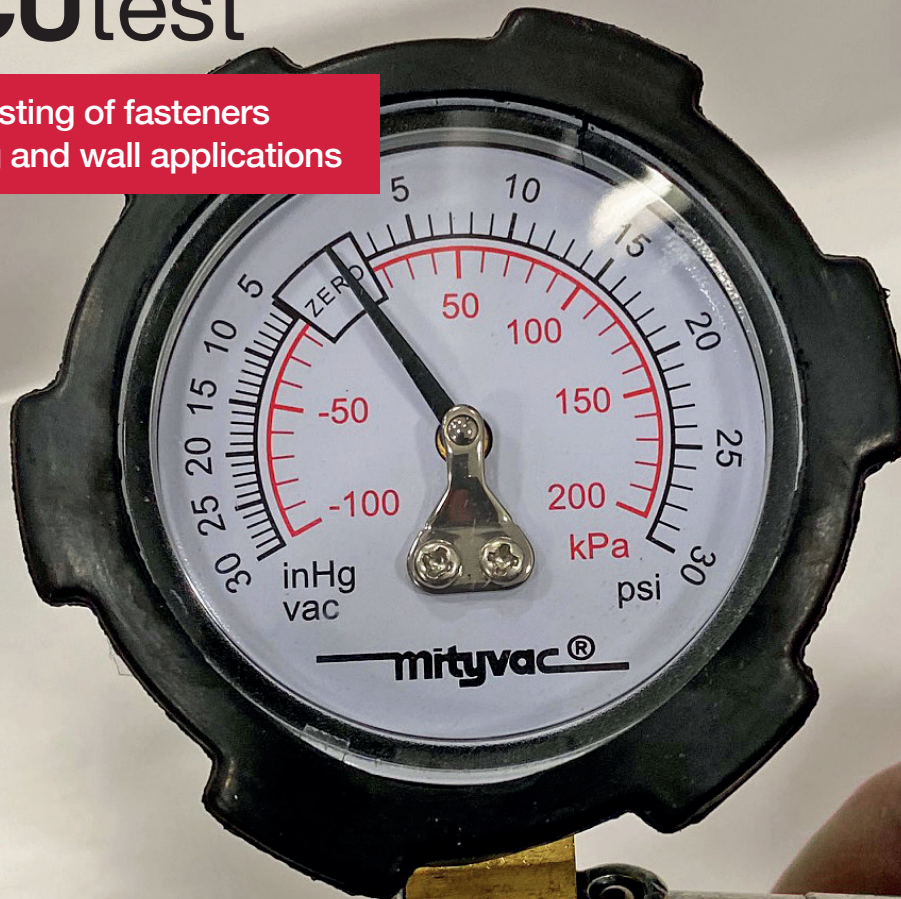


VACUtest

Air-seal testing of fasteners
on roofing and wall applications



EJOT® VACUtest

Air-seal testing of fasteners on roofing and wall applications

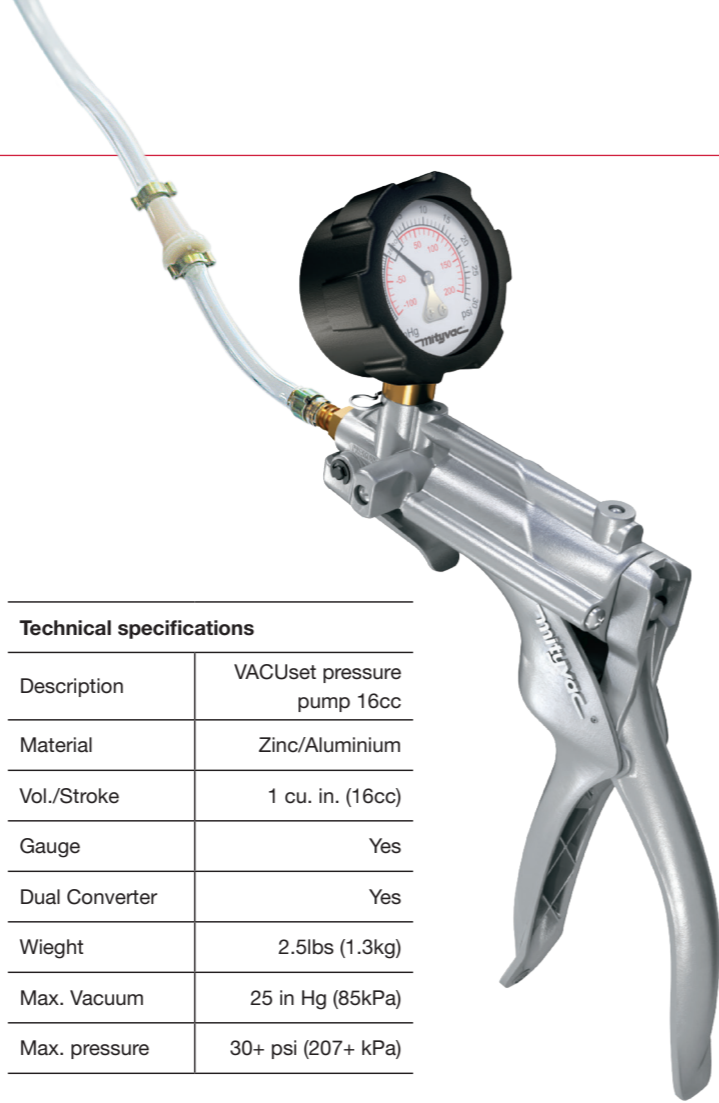
Product Features

- Easy handling
- Fast and precise seal-testing of assemblies
- Easy to follow instructions ensure accurate performance
- Filter fitted within the tube to stop swarf and debris

Benefits

- Hand-pump with manometer
- Tube with 2 interchangeable suction cups include option for A29 washers on rooflight assemblies
- Transport box
- Filter prevents clogged vacuum seal

Technical specifications	
Description	VACUset pressure pump 16cc
Material	Zinc/Aluminium
Vol./Stroke	1 cu. in. (16cc)
Gauge	Yes
Dual Converter	Yes
Wiegth	2.5lbs (1.3kg)
Max. Vacuum	25 in Hg (85kPa)
Max. pressure	30+ psi (207+ kPa)



Are you sure that your fasteners are ALWAYS installed correctly?
Scan here to watch our short guide on best practice for best results.



Suitable Fastener Types

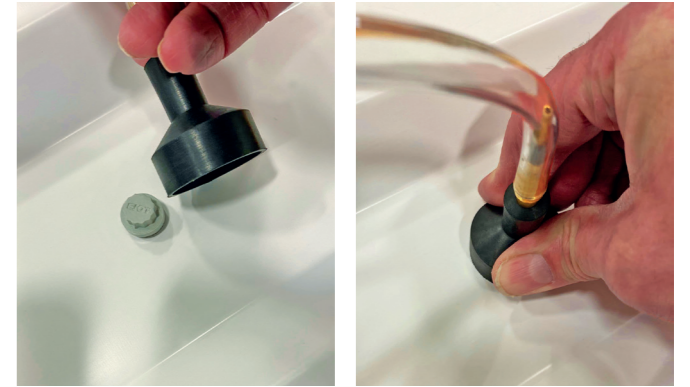
The VACUtest should be used to test the EJOT® washed self-drilling range of products specifically designed for use in roofing and cladding. Many fasteners can be supplied additionally with our unique Colorfast® head.

Where specified they are assembled with a high quality metal and EPDM vulcanised sealing washer. The VACUtest rubber suction cups are designed to fit with our 12, 15, 16, 19, 22 and 29mm washer sizes.



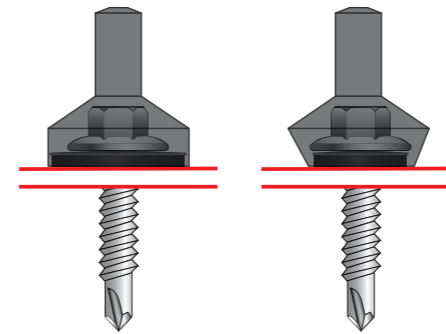
Air-seal testing process

The following air seal testing process should be carried out at regular intervals as part of EJOT's best practice installation procedures.

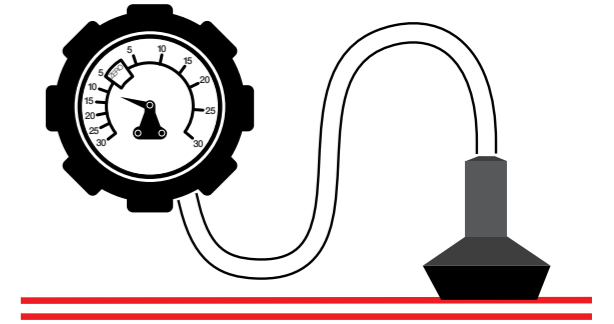


- 1 Choose the rubber suction cup that is correct for the fastener and washer size to be tested. The cup must clear the washer to the full perimeter.

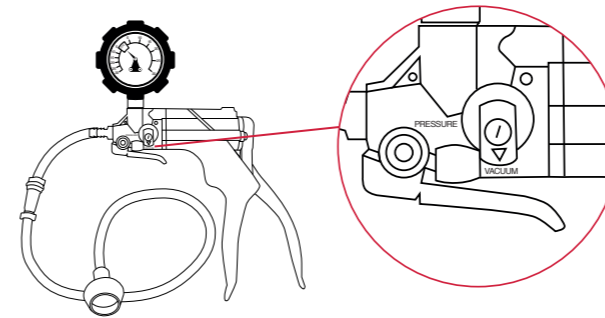
The selected cup will need to be pushed onto the tube connector's metal boss so that a good air tight fit is achieved. Avoid pushing on too far as this could impede the effectiveness of the cup, and the metal connector may foul on the top of the fastener that you are testing.



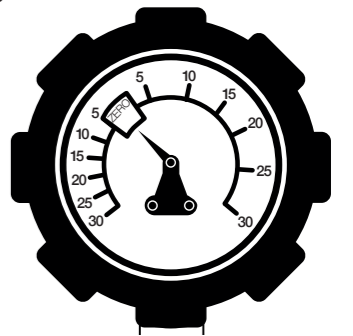
- 2 Before carrying out the test, use a flat clean surface near the location of the fastener you are testing and check that the equipment can develop and maintain a seal. This will also check that the surface itself will assist in creating a seal. The surface area should be free from debris, dust and grease. This also applies to the surface area around the fastener being tested which should be cleaned if necessary.



- 3 The VACUtest pump has two settings "Pressure" and "Vacuum". The lever needs to be rotated to point to "Vacuum" as shown.

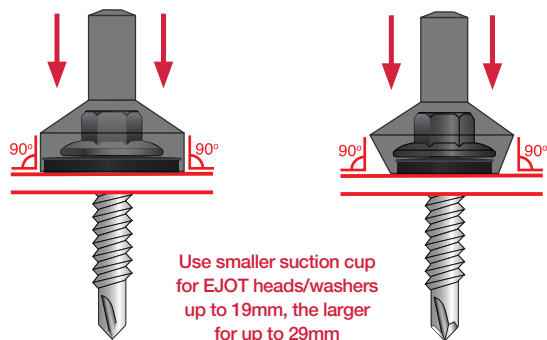


- 4 Check that the gauge needle is positioned in the "Zero" zone prior to performing the test.

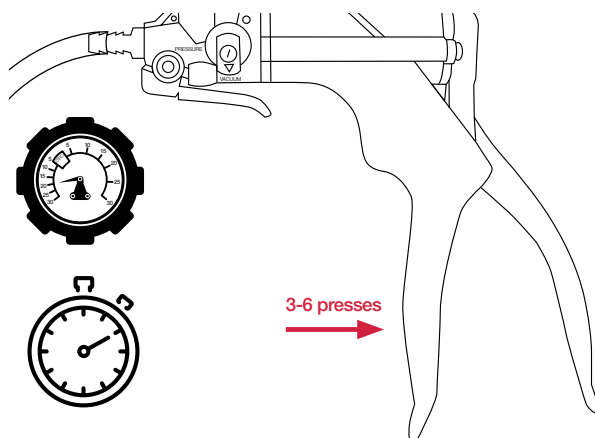


Continued...

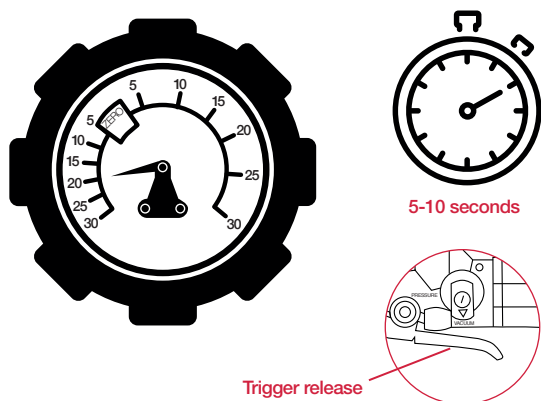
5 The suction cup should be held perpendicular to the surface material, around and over the fastener head so that good contact is achieved to the full perimeter of the fastener and washer. Light pressure will be required to maintain this contact. Hold the suction cup in place with one hand and operate the VACUtest pump handle with the other.



6 Squeeze and release the VACUtest pump handle three to six times until a pressure reading of 20 inHg (“inch of mercury”) is shown on the gauge. This means that a vacuum has been created over the head of the fastener. Hold this pressure for a minimum period of 5 to 10 seconds.

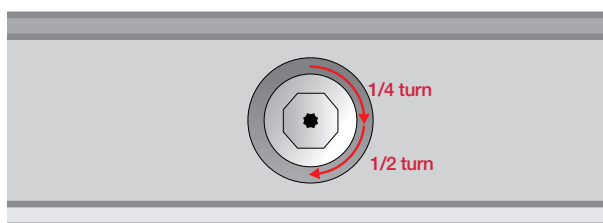


7 Providing the needle on the gauge remains at a constant reading and does not fall, then the assembly is air/water tight. Release the pressure by pressing the trigger release. The needle should then fall back into the “zero” zone.



8 If the pressure does not hold steady and the needle drops, repeat the process, taking extra care to ensure the suction cup is firmly held over the fastener and washer. Increase the number of times you squeeze and release the pump handle.

If the needle drops then a seal has not been made. Tighten the fastener by a quarter to a half-turn and repeat the seal test process. If the needle drops again then the fastener may need to be replaced.



EJOT U.K. Limited,
Hurricane Close, Sherburn Enterprise Park,
Sherburn-in-Elmet, Leeds LS25 6PB. United Kingdom

Tel: +44 1977 68 70 40
Fax: +44 1977 68 70 41
Email: info@ejot.co.uk

www.ejot.co.uk

EJOT® The Quality Connection

EJOT®

INFRC INDUSTRY
LEADING ROOFING EXCELLENCE TECHNICAL PARTNER